

# M5 Series Metal Detector





## Simplified Operation

Easily navigated one-touch operation for frequently used functions.  
Built-in support features improve productivity and accuracy.

### Minimize False Rejects



Built-in troubleshooting screens determine the cause of false rejects and provide suggestions to ensure repeatable, stable system performance.

### Improved Troubleshooting and Help Screens



Accurate illustrated Help messages minimize production line downtime by reducing the need for outside service support.

### Industry Leading Design



Precision engineered head design provides improved stability that eliminates errors caused by external sources, such as floor vibration or electronic "noise" from machinery located in close proximity.



Hygienic design features include an open frame construction that prevents build up and facilitates fast and easy clean-up and sanitation.  
Available in IP30 and IP66 models



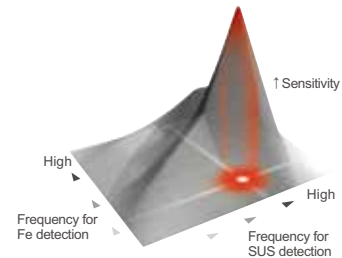
## Anritsu Proprietary Next Generation, High Sensitivity Technology

### Industry Leading Dual Wave Processing

- Increased temperature stability
- Reduced false rejects caused by exterior sources
- Improved self-diagnostic abilities

### Anritsu's unique dual-frequency system.

Anritsu's proprietary dual-frequency design determines the optimal settings to maximize sensitivity for both ferrous and non-ferrous metals, while helping to reduce false rejects.



## Operator Friendly Tutorials for Product Registration and Smart Guide

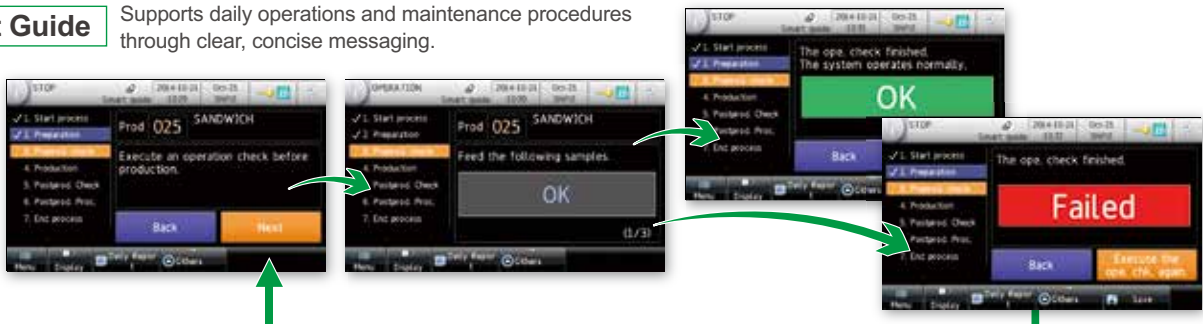
### Product Registration Navigation

Simplified, illustrated parameter setting procedures with step-by-step instructions



### Smart Guide

Supports daily operations and maintenance procedures through clear, concise messaging.



**Full system or detector head only options available.**

Contact our sales representatives for details.



### Test piece

Test pieces of Fe sphere, SUS304 sphere, SUS wire and non-ferrous metal sphere in varied sizes are available.

# Entry Model

Maximum pass width: 300 mm

## KDB3005AHF / AHW

Pass height: 50 mm

## KDB3008AHF / AHW

Pass height: 80 mm

## KDB3012AHF / AHW

Pass height: 120 mm

## KDB3015AHF / AHW

Pass height: 150 mm

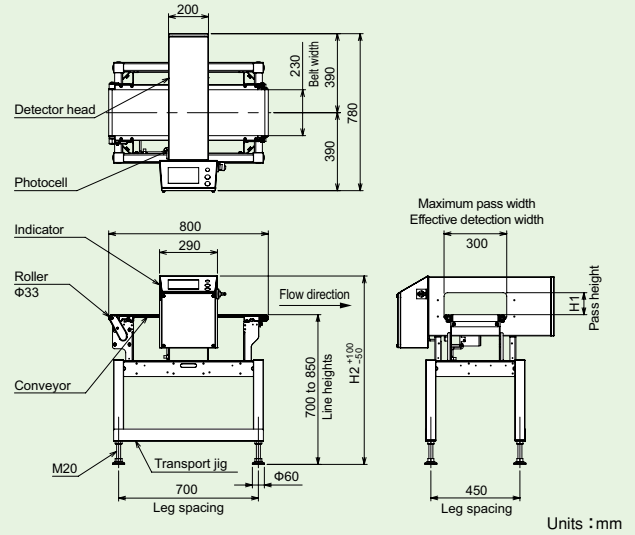
## KDB3018AHF / AHW

Pass height: 180 mm

### External Dimensions Non-Waterproof Waterproof

KDB3005AHF  
KDB3005AHW  
KDB3008AHF  
KDB3008AHW  
KDB3012AHF  
KDB3012AHW  
KDB3015AHF  
KDB3015AHW  
KDB3018AHF  
KDB3018AHW

Model	H1	H2
KDB3005AHF / AHW	50	925
KDB3008AHF / AHW	80	925
KDB3012AHF / AHW	120	965
KDB3015AHF / AHW	150	995
KDB3018AHF / AHW	180	1025



### Specifications

Model	<span>Non-Waterproof</span>	KDB3005AHF	KDB3008AHF	KDB3012AHF	KDB3015AHF	KDB3018AHF
	<span>Waterproof</span>	KDB3005AHW	KDB3008AHW	KDB3012AHW	KDB3015AHW	KDB3018AHW
Pass height		50 mm	80 mm	120 mm	150 mm	180 mm
Maximum pass width		300 mm				
Belt width		230 mm				
Display		7-inch color TFT LCD				
Operation method		Touch panel (Start, Stop, and Home are direct push buttons)				
Preset memory		Maximum 200				
Product packaging		Both general and aluminum-evaporated-packaging products				
Detection method		Simultaneous 2-frequency magnetization detection method				
Belt speed <sup>1</sup>		25 m/min (50 Hz), 30 m/min (60 Hz)				
Maximum product weight <sup>2</sup>		15 kg				
Metal detection		Rejection signal output and beep, or belt stop and beep				
Power supply <sup>3, 4</sup>		100 Vac, single phase 50/60 Hz ; 110/115/120 Vac, single phase 60 Hz ; 200 Vac, single phase 50/60 Hz ; 220/230 Vac, single phase 50/60 Hz ; or 240 Vac, single phase 50 Hz				
Power consumption		160 VA, rush current 50 A (typ.) (20 ms or less)				
Mass		77 kg	76 kg	79 kg	81 kg	82 kg
Environmental conditions		0° to 40°C, relative humidity 30% to 85%, non-condensing				
Protection class		AHF type: IP30 compliance / AHW type: IP66 compliance				
Exterior		Indicator and detector head: stainless steel (SUS304) Conveyor frame and stand AHF type: metal (coating) / AHW type: stainless steel (SUS304)				
Data output		USB port as an option (USB2.0), Ethernet interface as an option (10BASE-T, 100BASE-TX)				

1: Belt speeds other than those listed above are available as options. Contact our sales representatives for details.  
2: Sum total of product weight on the conveyor. Feed capacity may vary according to the belt speed.  
3: Specify one of these power supplies for use when ordering.  
4: Please use the rated voltage for the power supply voltage.  
A rise of a temperature in the motor may occur when the variation width of the power supply voltage is large.  
Conveyor torque may deteriorate when the power supply voltage is low.  
Note: The shape (length, width, and height) of products to be inspected varies with the rejector type.  
Note: The noise level of the metal detectors does not exceed 70 dB (A).

# Entry Model

Maximum pass width: 450 mm

## KDB4505AHF / AHW

Pass height: 50 mm

## KDB4510AHF / AHW

Pass height: 100 mm

## KDB4513AHF / AHW

Pass height: 130 mm

## KDB4515AHF / AHW

Pass height: 150 mm

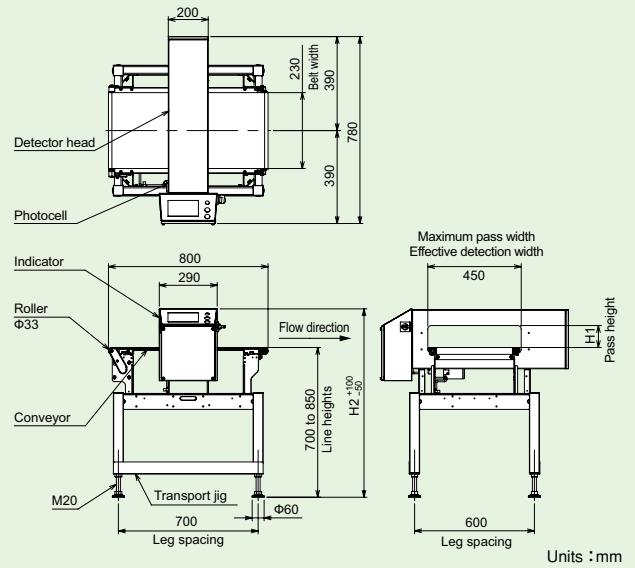
## KDB4518AHF / AHW

Pass height: 180 mm



### External Dimensions

KDB4505AHF  
KDB4505AHW  
KDB4510AHF  
KDB4510AHW  
KDB4513AHF  
KDB4513AHW  
KDB4515AHF  
KDB4515AHW  
KDB4518AHF  
KDB4518AHW

Model	H1	H2
KDB4505AHF / AHW	50	925
KDB4510AHF / AHW	100	945
KDB4513AHF / AHW	130	975
KDB4515AHF / AHW	150	995
KDB4518AHF / AHW	180	1025



### Specifications

Model		KDB4505AHF	KDB4510AHF	KDB4513AHF	KDB4515AHF	KDB4518AHF
		KDB4505AHW	KDB4510AHW	KDB4513AHW	KDB4515AHW	KDB4518AHW
Pass height		50 mm	100 mm	130 mm	150 mm	180 mm
Maximum pass width		450 mm				
Belt width		380 mm				
Display		7-inch color TFT LCD				
Operation method		Touch panel (Start, Stop, and Home are direct push buttons)				
Preset memory		Maximum 200				
Product packaging		Both general and aluminum-evaporated-packaging products				
Detection method		Simultaneous 2-frequency magnetization detection method				
Belt speed <sup>1</sup>		25 m/min (50 Hz), 30 m/min (60 Hz)				
Maximum product weight <sup>2</sup>		15 kg				
Metal detection		Rejection signal output and beep, or belt stop and beep				
Power supply <sup>3,4</sup>		100 Vac, single phase 50/60 Hz ; 110/115/120 Vac, single phase 60 Hz ; 200 Vac, single phase 50/60 Hz ; 220/230 Vac, single phase 50/60 Hz ; or 240 Vac, single phase 50 Hz				
Power consumption		160 VA, rush current 50 A (typ.) (20 ms or less)				
Mass		85 kg	86 kg	87 kg	89 kg	90 kg
Environmental conditions		0° to 40°C, relative humidity 30% to 85%, non-condensing				
Protection class		AHF type: IP30 compliance / AHW type: IP66 compliance				
Exterior		Indicator and detector head: stainless steel (SUS304) Conveyor frame and stand AHF type: metal (coating) / AHW type: stainless steel (SUS304)				
Data output		USB port as an option (USB2.0), Ethernet interface as an option (10BASE-T, 100BASE-TX)				

1: Belt speeds other than those listed above are available as options. Contact our sales representatives for details.  
2: Sum total of product weight on the conveyor. Feed capacity may vary according to the belt speed.  
3: Specify one of these power supplies for use when ordering.  
4: Please use the rated voltage for the power supply voltage.  
A rise of a temperature in the motor may occur when the variation width of the power supply voltage is large.  
Conveyor torque may deteriorate when the power supply voltage is low.  
Note: The shape (length, width, and height) of products to be inspected varies with the rejector type.  
Note: The noise level of the metal detectors does not exceed 70 dB (A).



## ANRITSU INFIVIS CO., LTD.

### International Sales Department

5-1-1 Onna, Atsugi-shi, Kanagawa-Prf., 243-0032, JAPAN  
TEL: +81-46-296-6699 FAX: +81-46-225-8387  
<http://www.anritsu-infivis.com/en/>

### Anritsu Industrial Solutions (Shanghai) Co., Ltd.

3F, No.55, Lane 1505, Zuchongzhi Road, Zhangjiang Hi-tech Park, Pudong New Area, Shanghai 201203, P.R.China  
TEL: +86-21-5046-3066 FAX: +86-21-5046-3068

### ANRITSU INFIVIS (THAILAND) CO., LTD.

700/678 Moo 1, Amata Nakorn Industrial Estate, T. Pangthong A. Pangthong Chonburi Province Thailand 20160  
TEL: +66 38-447180 FAX: +66 38-447182

### ANRITSU INFIVIS LTD.

200 Capability Green Luton LU1 3LU, United Kingdom  
TEL: +44(0)1582-433227 FAX: +44(0)1582-731303

### ANRITSU INFIVIS INC.

1001 Cambridge Drive, Elk Grove Village, IL 60007-2453, U.S.A.  
TEL: +1-847-419-9729 FAX: +1-847-537-8266

© ANRITSU INFIVIS CO., LTD. 2014

ISO14001 CERTIFICATE No.JQA-EM0210  
ISO 9001 CERTIFICATE No.JQA-0316



- Some products shown in this catalog may not be available in your country or region. Contact our sales representatives for details.
- To ensure proper operation, read the Operation Manual before using the machine.
- In addition to daily inspection, an annual maintenance check should be carried out.

Specifications are subject to change without notice.  
No part of this catalog may be reproduced without our permission.

Printed on Recycled Paper