



# DS-673

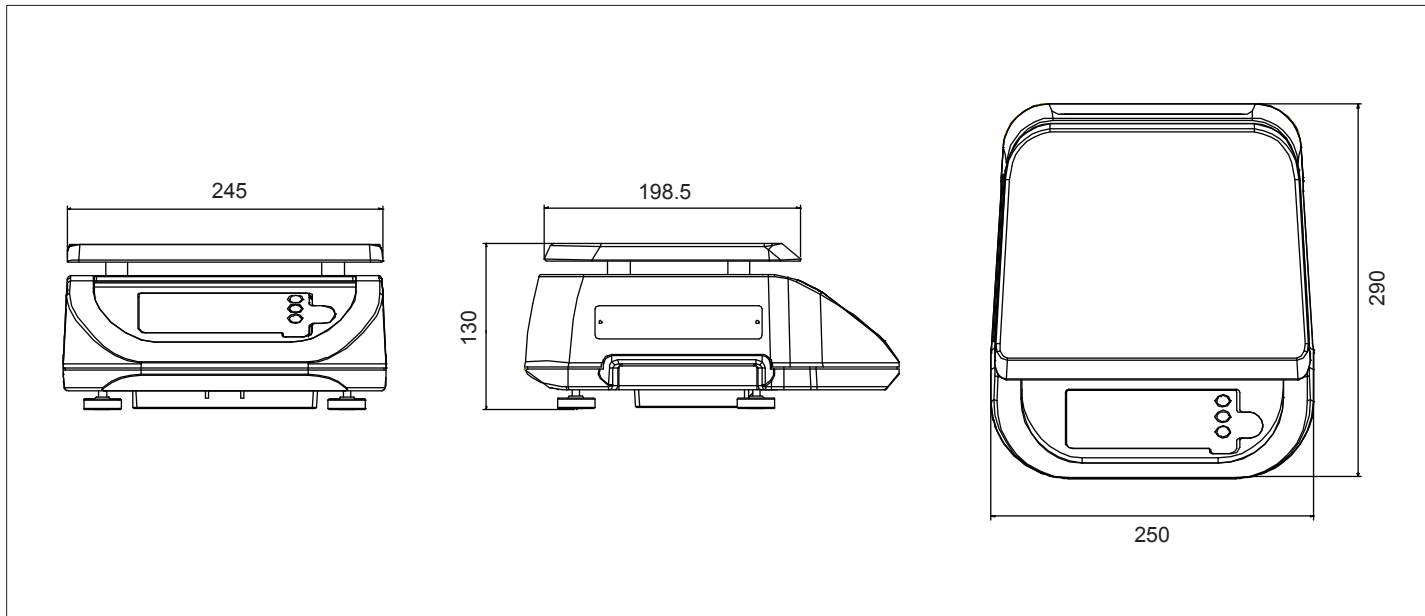
Weighing Scale

Special wet-proof technology to be used and quick response to weight change for food factory



***Searching for  
a New Balance***

## External Dimensions (mm)



## Basic Specifications

Model	DS-673
Capacity	1.5kg/3lb 3kg/6lb 6kg/15lb 15kg/30lb 30kg/60lb (Factory Option)
Display	High brightness LED display Weight Display: 6 digits. Decimal point: Selectable by SPEC
Display Resolution	1/3,000 multi-interval
Dimensions	Platter size : 245(W) x 198.5(D) mm Overall size: 250(W) x 290(D) x 130(H) mm
Power Source	AC 240/230/220V, 117/100V (Factory Option) DC 6V 5Ah rechargeable battery for 60 hours (option, Fully charged) * Charging condition( AC 240/230/220V, 117/100V, 800mA ,12-14 hours)
Operating Temperature	-10℃ ~ +40℃ (OIML)
Operating Humidity	15% ~ 85% RH
Power	Intelligent power control, Power Consumption : 18W ( AC ), 3W ( DC )
Waterproof rating	IP65

\*Rechargeable battery for 60 hours ( when dimmer level=2 )

\*Specifications are subject to change without prior notice.

**SHANGHAI TERAOKA ELECTRONIC CO., LTD.**

TINGLIN INDUSTRY DEVELOPMENTAL ZONE,  
JINSHAN COUNTY, SHANGHAI 201505

TEL: +86-21-57234888

FAX: +86-21-57233049

<http://www.digi-scale.com>